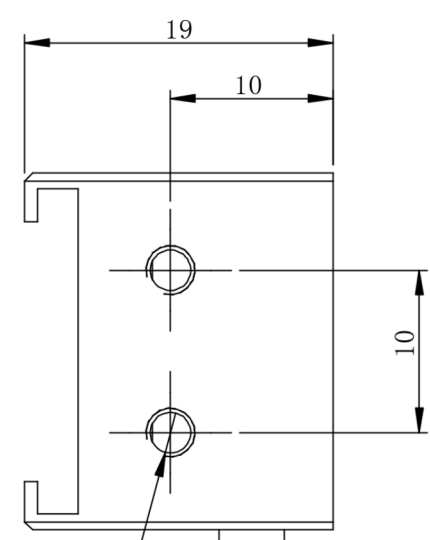
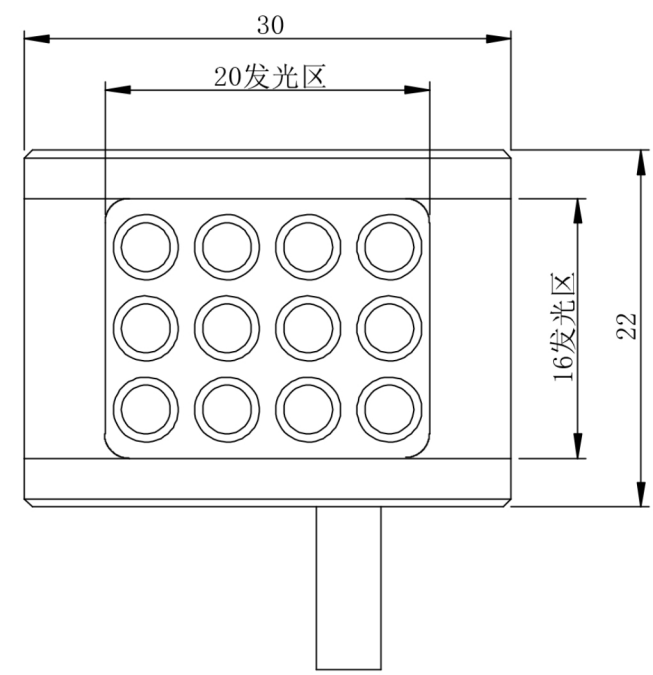


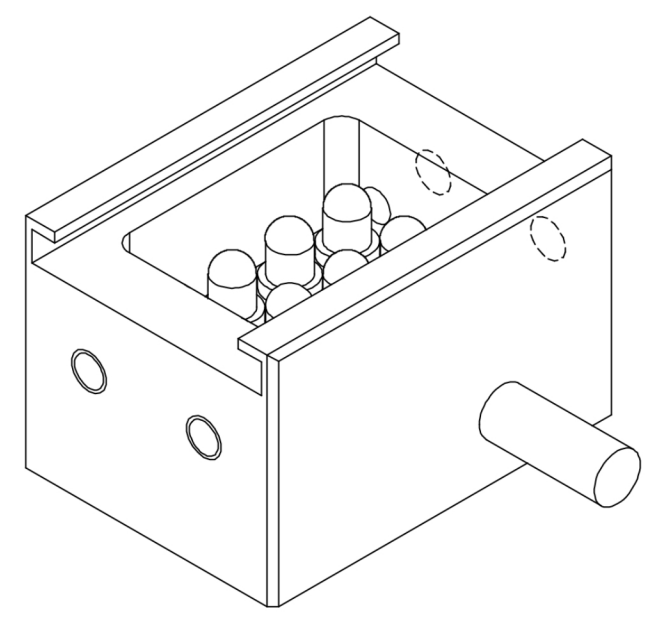
A
B
C
D
E
F

A
B
C
D
E
F

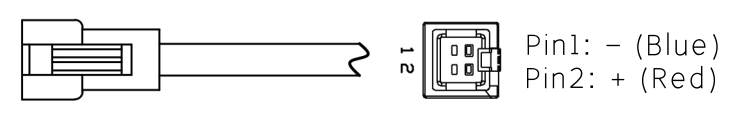


2 x M3 - 6H ∇ 4
 ϕ 2.50 ∇ 5.50
 两侧对称

出线长度800mm



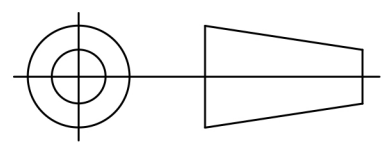
Details of Connector



Connector Type: SMR-03V-B (Light Side)
 SMP-03V-BC (Power Supply Side)

Specification:

MODEL	PL-TR3022-W/-B/-G/-UV	-R/-IR850/-IR940
Wavelength (nm)	6500K/470/530/385	625/850/940
Power Supply	DC24V/0.72 (W)	DC24V/0.48 (W)



Itemref	Quantity	Material: AL/ACRIL	ArticleNo./Reference	
			Filename PL-TR3022	Scale 1/1
			PL-TR3022-U	
			PL-TR3022-0000	Edition VER.1.0 Sheet 1